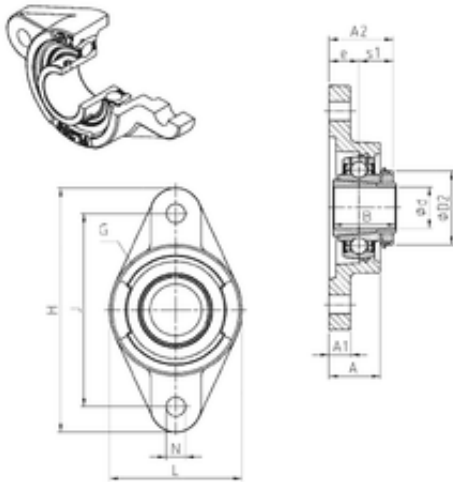




UFI.



SNR UKFL324H unit é s de roulement

Bearing No. UKFL324H

Bore Diameter	110 mm
d	110 mm
e	65 mm
s1	65 mm
A	110 mm
A1	48 mm
B	112 mm
D2	155 mm
H	520 mm
J	430 mm
L	330 mm
N	47 mm
Thread (G)	M10x1
A2	130 mm
Weight	47,7 Kg
Basic dynamic load rating (C)	228 kN

UKFL324H Bearing 2D drawings and 3D CAD models