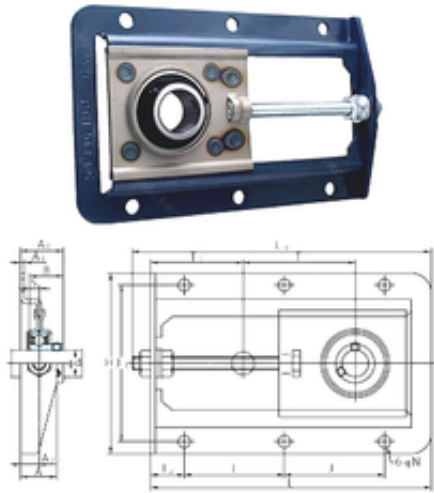




UFI.

FYH SBPTH202-90 unit é s de roulement



Bearing No. SBPTH202-90

| | |
|-------------------------------|---------|
| Bore Diameter | 15 mm |
| Width | 69 mm |
| d | 15 mm |
| A0 | 29,9 mm |
| T1 | 69 mm |
| A | 27 mm |
| A1 | 3,2 mm |
| B | 22 mm |
| H | 135 mm |
| J | 75 mm |
| L | 210 mm |
| L1 | 220 mm |
| N | 9 mm |
| S | 6 mm |
| T | 88 mm |
| Bolt (G) | M8 |
| A2 | 13,9 mm |
| J1 | 117 mm |
| J2 | 25 mm |
| Weight | 0,91 Kg |
| Basic dynamic load rating (C) | 9,55 kN |
| Basic static load rating (C0) | 4,8 kN |

SBPTH202-90 Bearing 2D drawings and 3D CAD models