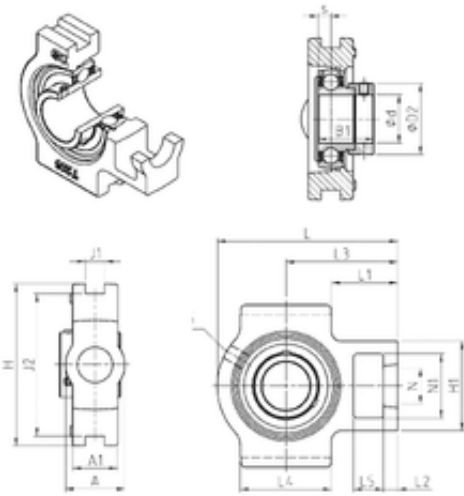




**UFI.**

**SNR EST206 unit é s de roulement**

Bearing No. EST206



EST206 Bearing 2D drawings and 3D CAD models

Bore Diameter	30 mm
d	30 mm
L4	57 mm
L5	16 mm
L2	10 mm
L3	70 mm
s	9 mm
A	37 mm
A1	28 mm
B1	35,7 mm
D2	44,5 mm
H	102 mm
H1	56 mm
L	113 mm
L1	41,5 mm
N	22 mm
N1	37 mm
Thread (G)	M6x1
J1	12 mm
J2	89 mm
Weight	1,2 Kg
Basic dynamic load rating (C)	19,5 kN
A2	28 mm
B	23.8 mm
A5	14.8 mm
d1	44.1 mm



## UFI.

G	M6x1
H2	56 mm
N2	37 mm
s1	27.8 mm
S	9 mm
SW	4 mm
C	19.5 kN
C0	11.2 kN
T min.	-20 ° C
T max.	100 ° C
Recommended tightening torque for set screw	11.5 Nm
Designation of housing	T206-
Designation of bearing	ES206G2