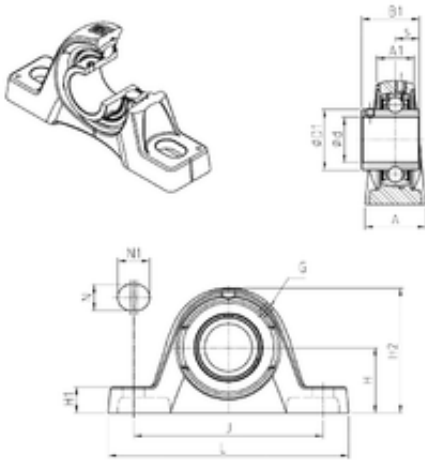




**UFI.**

**SNR UCPLE209 unit é s de roulement**

Bearing No. UCPLE209



UCPLE209 Bearing 2D drawings and 3D CAD models

Bore Diameter	45 mm
d	45 mm
s	19 mm
A	54 mm
A1	35 mm
B1	49,2 mm
D1	57,2 mm
H	52,4 mm
H1	18,4 mm
H2	106,4 mm
J	151,5 mm
L	197,5 mm
N	14 mm
N1	24 mm
Thread (G)	M6x1
Weight	2,2 Kg
Basic dynamic load rating (C)	31,85 kN