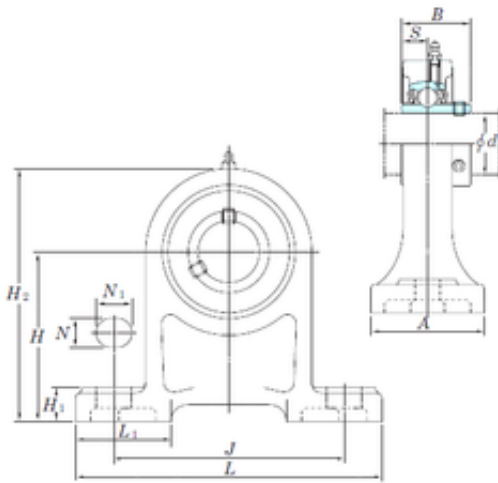




UFI.

KOYO UCPH207-20 unit é s de roulement

Bearing No. UCPH207-20



UCPH207-20 Bearing 2D drawings and 3D CAD models

Bore Diameter	31.75 mm
Width	42,9 mm
d	31.75 mm
A	60 mm
B	42,9 mm
H	95 mm
H1	18 mm
H2	140 mm
J	127 mm
L	167 mm
L1	54 mm
N	17 mm
N1	21 mm
S	17,5 mm
Bolt (G)	M14
Weight	2 Kg
Basic dynamic load rating (C)	25,7 kN
Basic static load rating (C0)	15,4 kN