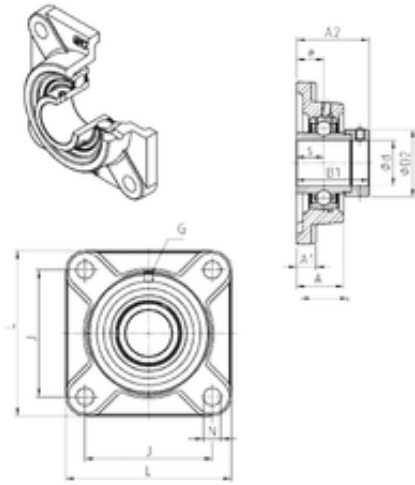




UFI.

SNR EXF314 unit é s de roulement

Bearing No. EXF314



EXF314 Bearing 2D drawings and 3D CAD models

Bore Diameter	70 mm
d	70 mm
e	36 mm
s	34,2 mm
A	61 mm
A1	25 mm
B1	92,1 mm
D2	102 mm
J	178 mm
L	226 mm
N	25 mm
Thread (G)	M10x1
A2	94 mm
Weight	10 Kg
Basic dynamic load rating (C)	104,26 kN